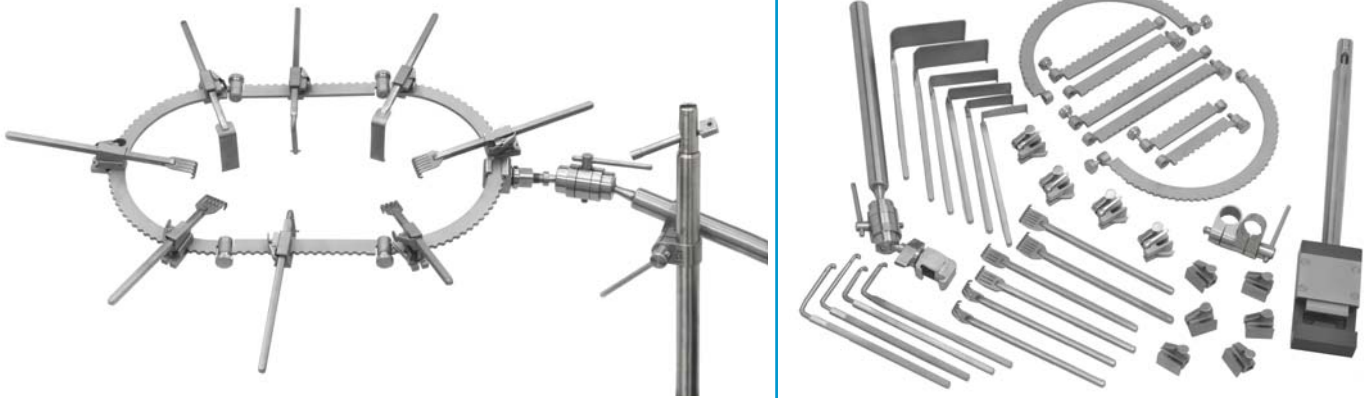


The Bookler Universal Spinal Surgery System

System 72135



Designed to be used in posterior approaches. Depending on the procedures, a variety of blades provide optimal exposure. Radiolucent blades are available to allow x-ray or fluoroscopy without removing blades.

Product Code	Qty	Bookler Universal Spinal Surgery System
72135	1	Complete System
		Consists of the Following Parts and Quantities:
72011	1	Field Post 30cm
72013	1	Post Coupling
72028	1	Horizontal Flex Bar
72025	6	Ratchet Mechanism
72026	4	Tilt Ratchet Mechanism
72001	1	Case, Spinal System
69260	1pr.	Ring Segments, Round, Small 22cm
69261	1pr.	Ring Segments, Straight 10cm
69266	1pr.	Ring Segments, Straight 15cm
69195	1pr.	Ring Segments, Straight 20cm
72115	2	Blade, Meyerding, Small
72116	2	Blade, Meyerding, Medium
72117	2	Blade, Meyerding, Large
72127	2	Blade, Hook, Scoville, Small
72128	2	Blade, Hook, Scoville, Large
72118	2	Blade, Rake, 3-Prong 19 x 17mm
72119	2	Blade, Rake, 4-Prong 8 x 19mm
72120	2	Blade, Rake, 6-Prong 8 x 25mm

Available Accessories for Spinal Surgery System 72135

Product code	Product Description
72009	45cm Field Post
72012	Horizontal Bar
72144	Lightweight Ultem Tilt Ratchet
72113	Twist Ratchet Adaptor
72114	Ratchet Extender
69031	Segmented Elliptical Ring 36 x 38cm
72027	Segmented, Medium 27 x 48cm
72035	Oval, Small 20 x 32cm Ring
72036	Oval, Medium 27 x 37cm Ring
72141	Large Elliptical Ratchet Ring, Open 52cm
72142	Medium Round Ratchet Ring, Open 38cm
72033	Richardson Blade 1.9 x 2.5cm
72047	Richardson Blade 1.9 x 5cm
72034	Richardson Blade 2.5 x 3cm
72101	Richardson Blade Complete System
72045	Kelly Blade 2.5 x 4cm
72049	Kelly Blade 5 x 4cm
72108	Kelly Blade 5 x 5cm
72024	Gelpi
72110	Malleable with Protective Edge 1.3 x 10cm
72048	Malleable with Protective Edge 2 x 10cm
72067	Meyerding Blade Without Teeth 1.7 x 6cm
72115T	Meyerding Blade With Teeth 1.7 x 6cm
72116T	Meyerding Blade With Teeth 2.5 x 8.5cm
72117T	Meyerding Blade With Teeth 5 x 9.5cm
72127	Scoville Blade Small
72128	Scoville Blade Large
72118	3-Prong Rake 19 x 17mm
72119	4-Prong Rake 8 x 19mm
72120	6-Prong Rake 8 x 25mm
72001	Sterilisation Case