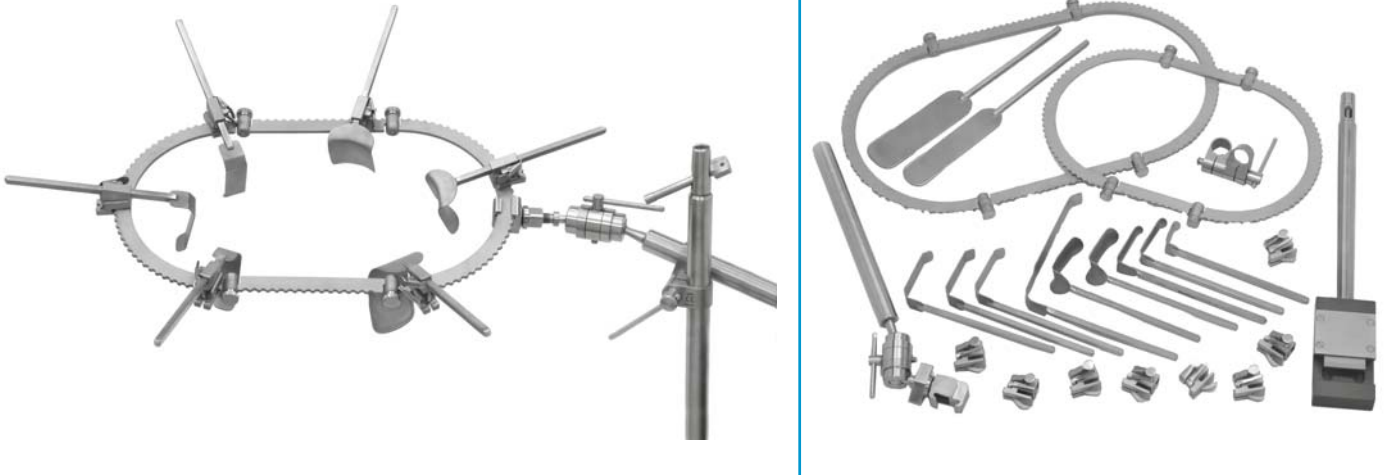


The Bookler Universal Urology Surgery System

System 72102



Designed to be used in abdominal, perineal, or flank approaches. The inclusion of 2 segmented rings allows for 8 ring size configurations and virtually unlimited ring angles. This allows the appropriate ring size and shape for any patient, any procedure.

Product Code	Qty	Bookler Universal Urology Surgery System
72102	1	Complete System
Consists of the Following Parts and Quantities:		
72011	1	Field Post 30cm
72013	1	Post Coupling
72028	1	Horizontal Flex Bar
72026	8	Tilt Ratchet Mechanisms
72027	1	Ring, Segmented 27 x 48cm
72027-85	1	Ring, Segmented 22 x 36cm
72015	1	Blade, Malleable 5 x 15cm
72019	1	Blade, Malleable 4 x 15cm
72044	2	Blade, Kelly 2.5 x 6.5cm
72045	1	Blade, Kelly 2.5 x 4 cm
72075	2	Blade, Kelly 5 x 6.5cm
72031	3	Blade, Vaginal Lateral
72042	1	Blade, Renal Wiley

Available Accessories for Urology Surgery System 72102

Product Code	Product Description
72001	Tray Set for Bookler Universal System
72009	45cm Field Post
72010	60cm Field Post
72014	30cm Vertical Extension Bar
72025	Stainless Standard Ratchet Mechanism
72144	Lightweight Ultem Tilt Ratchet
72113	Twist Ratchet Adaptor
72114	Ratchet Extender
72030-85	Round Ring, Small 22cm
72030-105	Round Ring, Medium 27cm
72141	Large Elliptical Titanium Ratchet Ring Open Position 52cm
72142	Medium Round Titanium Ratchet Ring, Open 38cm
72018	Balfour Blade 7 x 7.5cm
72038	Balfour Blade 9 x 7cm
72118	3-Prong Rake 19 x 17mm
72119	4-Prong Rake 8 x 19mm
72120	6-Prong Rake 8 x 25mm
72033	Richardson Blade 19 x 25mm
72047	Richardson Blade 19 x 50mm
72034	Richardson Blade 25 x 30mm
72101	Set of all 3 Richardson Blades
72109	Harrington Blade 1.3 x 6.5cm (5cm Distal)
72023	Harrington Blade 2.5 x 14.5cm (6.5 Distal)
72081	Harrington Blade 6.5 x 20cm (9cm Distal)
72058	Harrington Blade 9 x 25cm (11.5cm Distal)
72080	Harrington Blade 6.5 x 14.5cm (9cm Distal)
72107	Kelly Blade 2.5 x 7.5cm
72049	Kelly Blade 5 x 4cm
72108	Kelly Blade 5 x 5cm
72075	Kelly Blade 5 x 6.5cm
72016	Kelly Blade 5 x 7.5cm
72017	Kelly Blade 5 x 10cm
72021	Kelly Blade 5 x 12.5cm
72022	Kelly Blade 5 x 15cm
72059	Kelly Blade 5 x 20cm
72039	Kelly Blade 6.5 x 7.5cm
72057	Urology- Carroll Malleable Blade 3.8 to 8.3cm x 18cm Long
72160	Urology- Yu-Holtgrew Blade 5 x 15.5cm, slot: 1.7 x 3.5cm
72126	Deaver Blade 1.7 x 5.7cm
72052	Deaver Blade 2.5 x 9cm
72046	Deaver Blade 2.5 x 12.5cm
72069	Deaver Blade 7.5 x 27cm
72024	Gelpi
72110	Malleable with Protective Edge 1.3 x 10cm
72048	Malleable with Protective Edge 2 x 10cm
72111	Malleable with Protective Edge 2.5 x 12.5cm
72066	Malleable with Protective Edge 5 x 20cm
72056	Malleable with Protective Edge 5 x 25cm
72053	Malleable with Protective Edge 7.5 x 30cm
72112	Malleable with Protective Edge 10 x 20cm
72061	Malleable with Protective Edge 10 x 25cm
72054	Malleable with Protective Edge 10 x 30cm
72040	Malleable with Protective Edge 15 x 23cm
72041	Malleable with Protective Edge 15 x 30cm