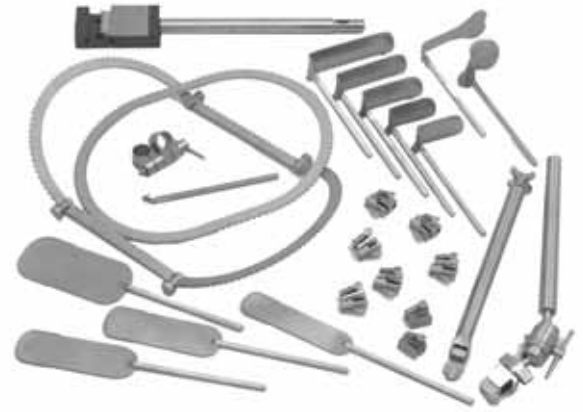


The Bookler Universal General Surgery System

System 72000



Product Code	Qty	Bookler Universal General Surgery System
72000	1	Complete System
		Consists of the Following Parts and Quantities:
72011	1	Field Post 30cm
72012	1	Horizontal Bar
72013	1	Post Coupling
72028	1	Horizontal Flex Bar
72025	2	Ratchet Mechanism
72026	6	Tilt Ratchet Mechanisms
72036	1	Ring, Oval, Medium 27 x 37cm
72027	1	Ring, Segmented, Medium 27 x 48cm
72018	1	Blade, Balfour 7 x 7.5cm
72016	2	Blade, Kelly 5 x 7.5cm
72017	1	Blade, Kelly 5 x 10cm
72021	1	Blade, Kelly 5 x 12.5cm
72022	1	Blade, Kelly 5 x 15cm
72023	1	Blade, Harrington 2.5 x 14.5 x 6.5cm
72024	1	Gelpi
72020	1	Blade, Malleable 7.5 x 15cm
72015	2	Blade, Malleable 5 x 15cm
72019	1	Blade, Malleable 4 x 15cm

Accessory Sets for General Surgery System 72000

Product Code	Qty	Bariatric Accessories
72130	1	Complete Set
		Consists of the Following Parts and Quantities:
72009	1	Field Post 45cm
72114	1	Ratchet Extender
72113	1	Twister Ratchet
72038	1	Blade, Balfour 9 x 7cm
72064	1	Blade, Malleable 7.5 x 25cm
72066	1	Blade, Malleable 5 x 20cm
72056	1	Blade, Malleable, 5 x 25cm
72112	1	Blade, Malleable 10 x 20cm
72059	1	Blade, Kelly 5 x 20cm
72081	1	Blade, Harrington 6.5 x 20cm
Product Code	Qty	Small Incision Accessories
72100	1	Complete Set
		Consists of the Following Parts and Quantities:
72024	1	Gelpi
72044	1	Blade, Kelly 2.5 x 6.5cm
72045	1	Blade, Kelly 2.5 x 4cm
72030-85	1	Ring, Round, Small 22cm Diameter
Product Code	Qty	Rectal Accessories
72133	1	Complete Set
		Consists of the Following Parts and Quantities
72121	2	Blade, Rectal, Small 2 x 7cm
72122	2	Blade, Rectal, Large 2 x 10cm
72030-85	1	Ring, Round, Small 22cm Diameter
Product Code	Qty	Richardson Blade Set
72101	1	Complete Set
		Consists of the Following Parts and Quantities:
72033	1	Blade, Richardson 19 x 25mm
72034	1	Blade, Richardson 25 x 30mm
72047	1	Blade, Richardson 19 x 50mm
Available Accessories		
72025	1	Standard Ratchet Mechanism
72026	1	Tilt Ratchet
72144	1	Lightweight Ultem Tilt Ratchet (radiolucent)
72001	1	Sterilisable Case for General Surgery
72104	Set	Endoscopic Holder Set

See Bookler Universal Brochure TMRS-1005 for Additional Products for use with General Surgery System 72000.