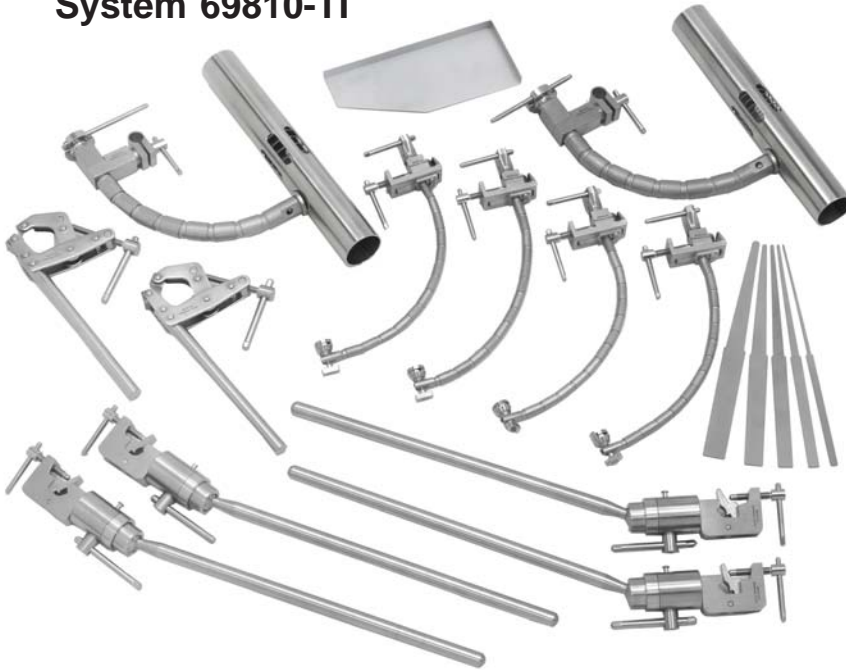


The Mediflex Davida™

TITANIUM NEUROSURGERY RETRACTOR AND HAND STABILISATION SYSTEM

System 69810-TI



Shown above: System 69810-TI

- All components in **Surgical Grade Titanium**.
- Ergonomic Handrests... reduces fatigue and tremor.
- Highly Adjustable Flexarms securely hold and position retractor blades.
- Quick and Easy set-up for most microsurgical procedures.

Product Code	Qty	Neurosurgical System-Deluxe (Titanium)
69810-TI	1	Complete System
Consists of the Following Parts and Quantities:		
69022-TI	4	Neurosurgical Floating Secondary Bar (Titanium)
69015-TI	4	Neurosurgical Long Retractor Arm 24cm (Titanium)
69019-TI	2	Neurosurgical Primary Bar 15cm (Titanium)
69013-TI	2	Neurosurgical Handrest 25cm (Titanium)
69801	1	Neurosurgical System Case (Stainless Steel)
69802	1	Neurosurgical Pattie Tray (Radiolucent)
69804-TI	1	Blade, Neurosurgical Tapered 4 to 16mm (Titanium)
69806-TI	1	Blade, Neurosurgical Tapered 2.4 to 9.5mm (Titanium)
69805-TI	1	Blade, Neurosurgical Tapered 3.2 to 12.7mm (Titanium)
69803-TI	1	Blade, Neurosurgical Tapered 6.4 to 19mm (Titanium)
69807-TI	1	Blade, Neurosurgical Tapered 1.6 to 6.4mm (Titanium)