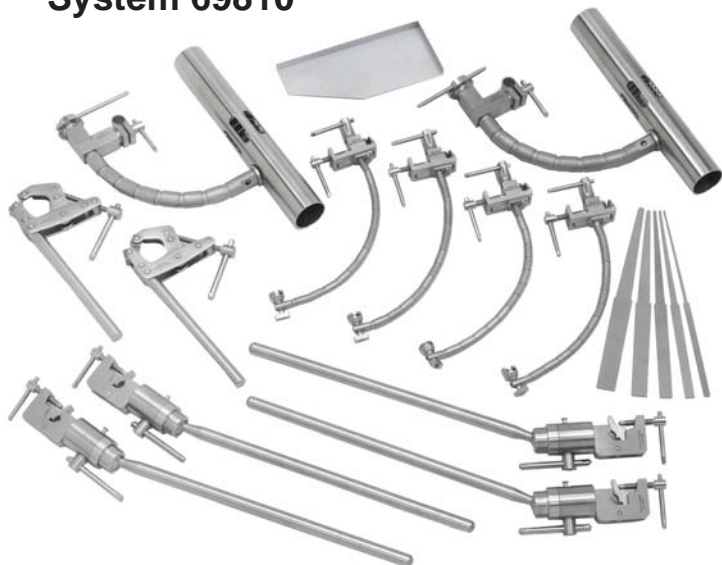


The Mediflex Davida™

NEUROSURGERY RETRACTOR AND HAND STABILISATION SYSTEM

System 69810



Optional Accessories



Product Code	Qty	Neurosurgical System-Deluxe (Stainless Steel)
69810	1	Complete System
Consists of the Following Parts and Quantities:		
69022	4	Neurosurgical Floating Secondary Bar
69015	4	Neurosurgical Long Retractor Arm 24cm
69019	2	Neurosurgical Primary Bar 15cm
69013	2	Neurosurgical Handrest 25cm
69801	1	Neurosurgical System Case
69802	1	Neurosurgical Pattie Tray
69804	1	Blade, Neurosurgical Tapered 4 to 16mm
69806	1	Blade, Neurosurgical Tapered 2.4 to 9.5mm
69805	1	Blade, Neurosurgical Tapered 3.2 to 12.7mm
69803	1	Blade, Neurosurgical Tapered 6.4 to 19mm
69807	1	Blade, Neurosurgical Tapered 1.6 to 6.4mm
Optional Accessories		
69014	1	Neurosurgical Retractor Arm, Short 16.5cm
69026	1	Neurosurgical Short Coupler
69012	1	Neurosurgical Instrument Small Holder Holds up to 8mm Diameter
69024	1	Neurosurgical Micro Instrument Holder. Holds up to 3.2mm Diameter
69011	1	Neurosurgical Instrument Holder, Large. Holds up to 25mm Diameter
69035	1	Neurosurgical Instrument Holder, X-Large. Holds up to 5cm Diameter.
69021	1	Neurosurgical Maxi-Vise Adapter
69020	1	Neurosurgical Secondary Bar 30cm