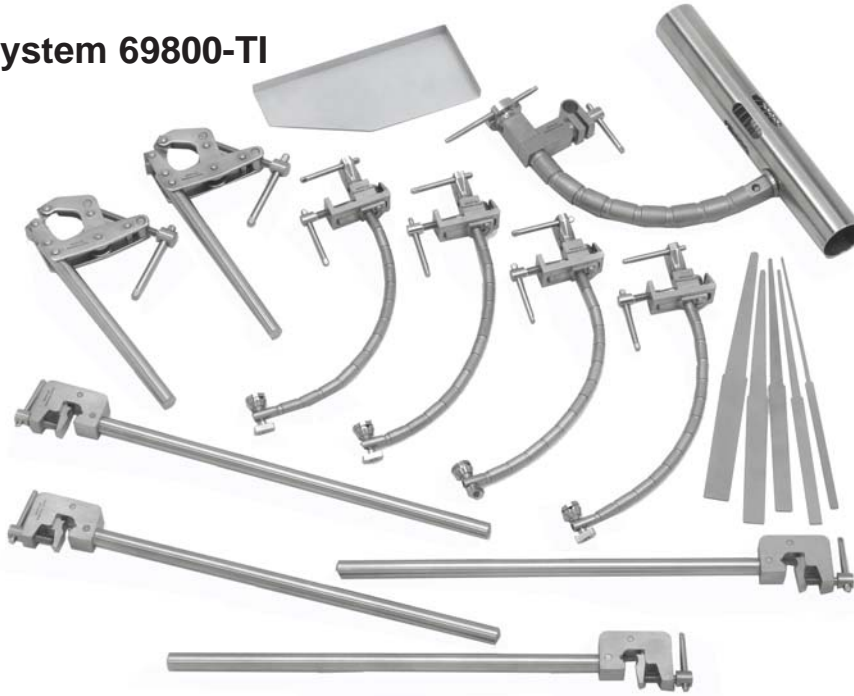


# The Mediflex Davida™

## TITANIUM NEUROSURGERY RETRACTOR AND HAND STABILISATION SYSTEM

System 69800-TI



Product Code	Qty	Neurosurgical System-Standard (Titanium)
69800-TI	1	Complete System
		<b>Consists of the Following Parts and Quantities:</b>
69020-TI	4	Neurosurgical Secondary Bar 30cm (Titanium)
69015-TI	4	Neurosurgical Long Retractor Arm 24cm (Titanium)
69019-TI	2	Neurosurgical Primary Bar 15cm (Titanium)
69013-TI	1	Neurosurgical Handrest 25cm (Titanium)
69801	1	Neurosurgical System Case (Stainless Steel)
69802	1	Neurosurgical Pattie Tray (Radiolucent)
69804-TI	1	Blade, Neurosurgical Tapered 4 to 16mm (Titanium)
69806-TI	1	Blade, Neurosurgical Tapered 2.4 to 9.5mm (Titanium)
69805-TI	1	Blade, Neurosurgical Tapered 3.2 to 12.7mm (Titanium)
69803-TI	1	Blade, Neurosurgical Tapered 6.4 to 19mm (Titanium)
69807-TI	1	Blade, Neurosurgical Tapered 1.6 to 6.4mm (Titanium)