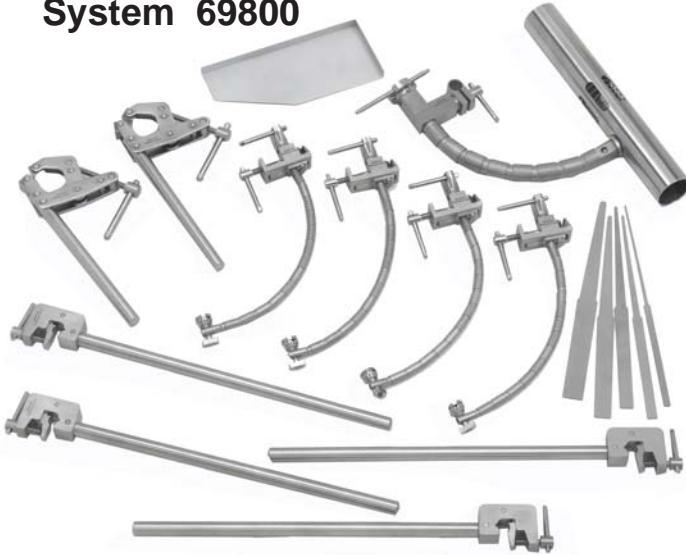


# The Mediflex Davida™

## NEUROSURGERY RETRACTOR AND HAND STABILISATION SYSTEM

### System 69800



### Optional Accessories



Product Code	Qty	Neurosurgical System-Standard (Stainless Steel)
69800	1	Complete System
<b>Consists of the Following Parts and Quantities:</b>		
69020	4	Neurosurgical Secondary Bar 30cm
69015	4	Neurosurgical Long Retractor Arm 24cm
69019	2	Neurosurgical Primary Bar 15cm
69013	1	Neurosurgical Handrest 25cm
69801	1	Neurosurgical System Case
69802	1	Neurosurgical Pattie Tray
69804	1	Blade, Neurosurgical Tapered 4 to 16mm
69806	1	Blade, Neurosurgical Tapered 2.4 to 9.5mm
69805	1	Blade, Neurosurgical Tapered 3.2 to 12.7mm
69803	1	Blade, Neurosurgical Tapered 6.4 to 19mm
69807	1	Blade, Neurosurgical Tapered 1.6 to 6.4mm

Product Code	Qty	Optional Accessories
69014	1	Neurosurgical Retractor Arm, Short 16.5cm
69026	1	Neurosurgical Short Coupler
69012	1	Neurosurgical Instrument Holder, Small. Holds up to 8mm Diameter
69024	1	Neurosurgical Micro Instrument Holder. Holds up to 3.2mm Diameter
69011	1	Neurosurgical Instrument Holder, Large. Holds up to 25mm Diameter
69035	1	Neurosurgical Instrument Holder, X-Large. Holds up to 5cm Diameter.
69021	1	Neurosurgical Maxi-Vise Adaptor
69022	1	Neurosurgical Floating Secondary Bar 30cm